

Ergonomic Height-Adjustable Systems

Dyna-Lift®



Dyna-Lift®

We Set the Table for Your Requirements

Dyna-Lift® systems provide ergonomic solutions for workstation adjustability. When employees adjust their workstation with a Dyna-Lift®, it allows them to move throughout the day, from sitting to standing, eliminating fatigue, pain, and potential injuries. Ergonomic, height-adjustable workstations provide the best posture solutions for multiple employees using the same workstation. Individual shift workers can use the same workstation and adjust it quickly to meet their specific height requirements and comfort.

Dyna-Lift® systems adjust a worktable, office furniture, lab equipment, industrial workbenches, hospital beds, assembly line fixtures, massage tables, podiums, rehabilitation tables, and so much more. Dyna-Lift® systems are sturdy and can lift up to 1,500 lbs. Manufacturing, industrial, office, and medical environments use Dyna-Lift®.

Bucher Hydraulics recognizes there is a wide variety of customer needs. Therefore, we can customize Dyna-Lift® systems to provide the smartest solution for your application.

Dyna-Lift® Systems

- Provide a long lasting solution
- Improve workers' productivity & comfort
- Avoid work related injuries
- Operate smoothly and quietly
- Comply with ADA and OSHA guidelines
- Install quickly
- Ship fully charged





Table of Contents

Ergonomic Solutions	4	External Extrusion Mount System	10
Pump & Cylinder Configurations	5	Parts & Accessories	11
Standard Systems	6 & 7	Quick Ship Program	12
Heavy-Duty Systems	8	Dimensions	12 & 13
Internal Extrusion Mount System	9	System Selection Guide	14 & 15

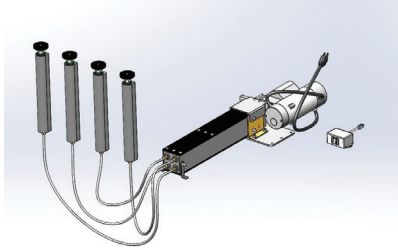


Dyna-Lift®

Egonomic Solutions



Standard Systems
250 lb (113 kg)/Cylinder Capacity
See pgs. 6 & 7



Heavy-Duty Systems
375 lb (170 kg)/Cylinder Capacity
See pg. 8

Internal Extrusion Mount System
Up to 375 lb (170 kg)/Cylinder Capacity
See pg. 9



External Extrusion Mount System
Up to 375 lb (170 kg)/Cylinder Capacity
See pg. 10

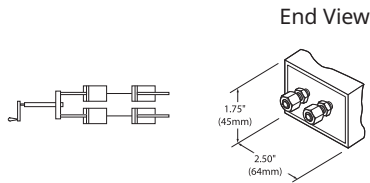


Dyna-Lift®

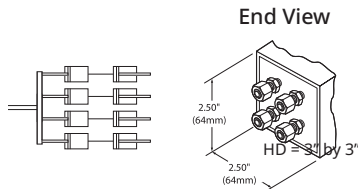
Pump & Cylinder Configurations

Pump Schematics

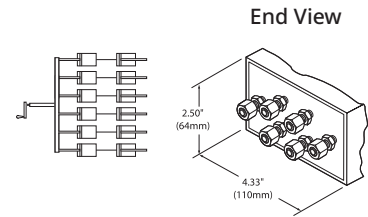
2-Post System



4-Post System



6-Post System



2-Post Pump Housing

Lift Cylinder Adj. Range Inch (mm)	"A" Length Inch (mm)	"B" Length Inch (mm)
06 (152)	11.96 (304)	11.12 (283)
08 (203)	13.99 (355)	13.15 (334)
10 (254)	16.02 (407)	15.18 (386)
12 (305)	18.05 (458)	17.21 (438)
16 (406)	22.12 (562)	21.28 (541)

4-Post Pump Housing

Lift Cylinder Adj. Range Inch (mm)	"A" Length Inch (mm)	"B" Length Inch (mm)
06 (152)	11.96 (304)	11.12 (283)
08 (203)	13.99 (355)	13.15 (334)
10 (254)	16.02 (407)	15.18 (386)
12 (305)	18.05 (458)	17.21 (438)
16 (406)	22.12 (562)	21.28 (541)

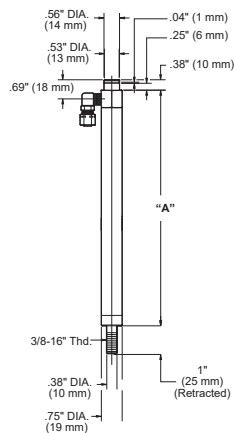
6-Post Pump Housing

Lift Cylinder Adj. Range Inch (mm)	"A" Length Inch (mm)	"B" Length Inch (mm)
06 (152)	12.15 (309)	11.40 (290)
08 (203)	14.18 (360)	13.43 (341)
10 (254)	16.21 (412)	15.48 (393)
12 (305)	18.24 (463)	17.49 (444)
16 (406)	22.31 (567)	21.56 (548)

Cylinder Options

Cylinder Type B2D

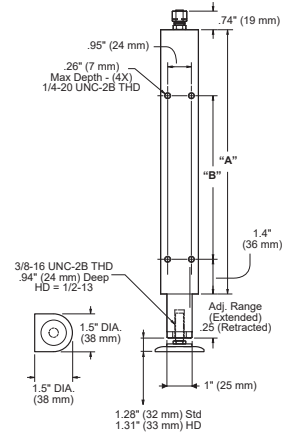
Lift Cylinder Adj. Range Inch (mm)	"A" Inch (mm)
06 (152)	8.75 (222)
08 (203)	10.75 (273)
10 (254)	12.75 (324)
12 (305)	14.75 (375)
16 (406)	18.38 (476)
20 (508)	22.75 (578)*



* HD Only

Cylinder Type D1A & 20\"/>

Lift Cylinder Adj. Range Inch (mm)	"A" Inch (mm)	"B" Inch (mm)
06 (152)	11.50 (292)	6.50 (165)
08 (203)	13.50 (343)	9.45 (240)
10 (254)	15.50 (394)	9.45 (240)
12 (305)	17.50 (445)	13.38 (340)
16 (406)	21.50 (546)	13.38 (340)
20 (508)	25.50 (648)	17.38 (442)*



* HD Only

Dyna-Lift®

Standard Systems (S)

Advantages

- Lifts up to 1,000 lbs. (454 kg)
- Rechargeable and fully serviceable in the field

General Description

- Complete, ready-to-install, height-adjustable system
- Choose from 1 to 8 cylinders
- Manual or electric operation
- Custom systems available



Standard Manual

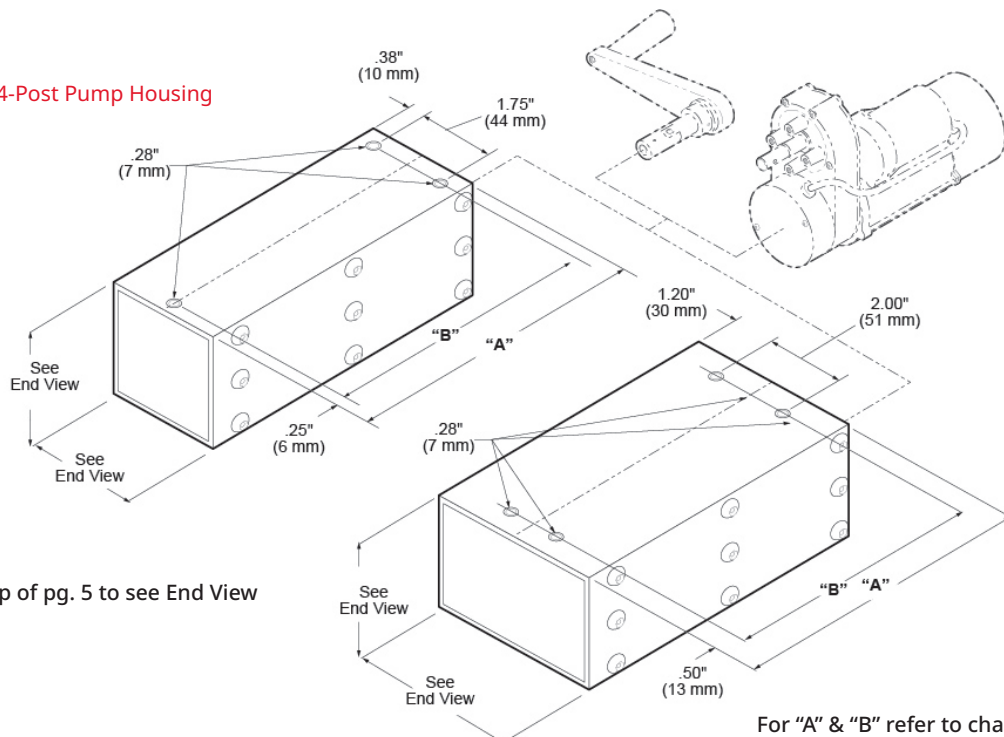
Technical Information

- System capacity:
 - 250 lbs. (113 kg) per cylinder for Standard
 - 1,000 lbs. (454 kg) max. total capacity on Standard
- Ambient temperature 100° F (37.8° C)
- System ships fully charged and ready-to-install
- Smooth, quiet operation
- Powder-coated housing finish



Standard Electric

2-Post & 4-Post Pump Housing



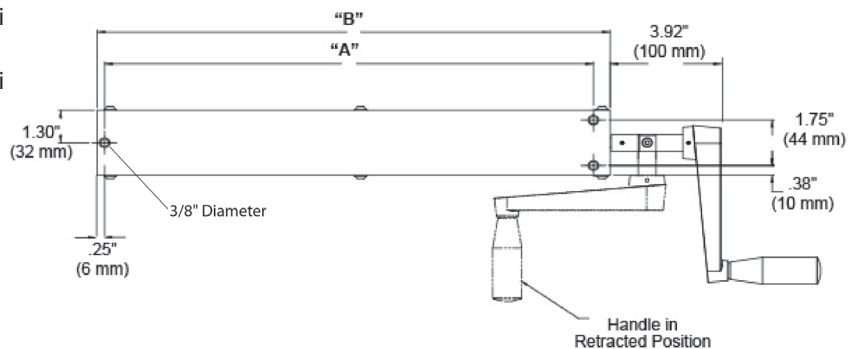
Dyna-Lift®

Standard Manual Pump Assembly

- Retractable handle
- Five revolutions per inch travel
- 2-Post Manual System with 16-inch stroke cylinder weighs 10 lbs. (4.54 kg)
- 4-Post Manual System with 12-inch stroke cylinder weighs 27 lbs. (12.25 kg)
- 8 cylinder option not available

Standard Manual Specifications

Stroke Inch (mm)	"A" Inch (mm)	"B" Inch (mm)
06 (152)	11.12 (282)	11.96 (304)
08 (203)	13.15 (334)	13.99 (355)
10 (254)	15.18 (386)	16.02 (407)
12 (305)	17.21 (437)	18.05 (458)
16 (406)	21.28 (541)	22.12 (562)



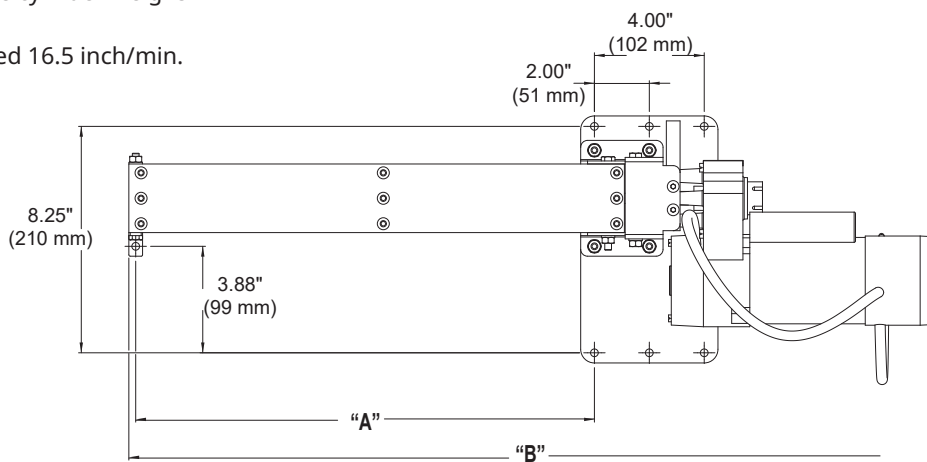
Standard Manual Pump

Standard Electric Pump Assembly

- Low voltage safety switch
- Internal limit switches
- Thermal overload protection
- UL recognized CSA certified
- 6-Post Electric System with 12-inch stroke cylinder weighs 72 lbs. (32.69 kg)
- Motor speed 93 RPM Theoretical lift speed 16.5 inch/min. (0.275 inch/sec.)

Standard Electric Specifications

Stroke Inch (mm)	"A" Inch (mm)	"B" Inch (mm)
06 (152)	10.62 (270)	23.18 (589)
08 (203)	12.65 (321)	25.21 (640)
10 (254)	14.68 (373)	27.24 (691)
12 (305)	16.71 (424)	29.27 (744)
16 (406)	20.78 (528)	33.34 (847)



Standard Electric Pump

Dyna-Lift®

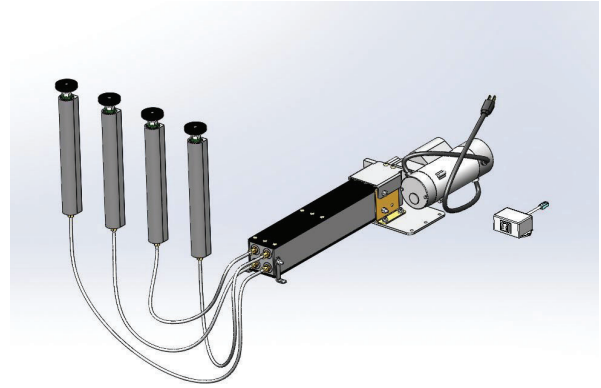
Heavy-Duty Systems (H)

Advantages

- High capacity with longer stroke
- Rechargeable and fully serviceable in the field
- 2:1 pump to cylinder ratio

General Description

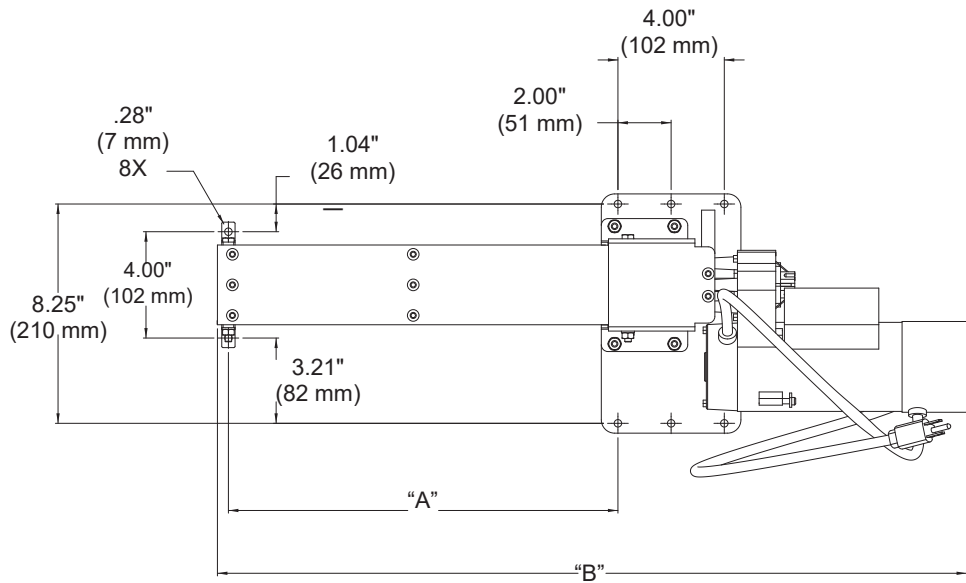
- Converts fixed height structure to one with a 0-20" range of height adjustment
- Electric operation
- Retrofit & OEM applications
- Custom systems available



Technical Information

- System capacity:
 - 375 lbs. (170 kg) per cylinder for Heavy-Duty
 - 1,500 lbs. (680 kg) max. capacity on Heavy-Duty
- System ships fully charged and ready-to-install
- Smooth, quiet operation
- Powder-coated housing finish
- Theoretical lift speed 16.5 inch/min. (0.275 inch/sec.)

Heavy-Duty Electric



Electric Specifications

Stroke Inch (mm)	06 (152)	08 (203)	10 (254)	12 (305)	20 (508)
"A" Inch (mm)	14.65 (372)	14.65 (372)	18.71 (475)	18.71 (475)	26.85 (682)
"B" Inch (mm)	28.48 (723)	28.48 (723)	32.54 (827)	32.54 (827)	40.35 (1025)

Dyna-Lift®

Internal Extrusion Mount System

Advantages

- Internally mounted cylinder neatly hides away unwanted outside obstructions – no external hardware

General Description

- Perfect application for OEM's and custom machine builders

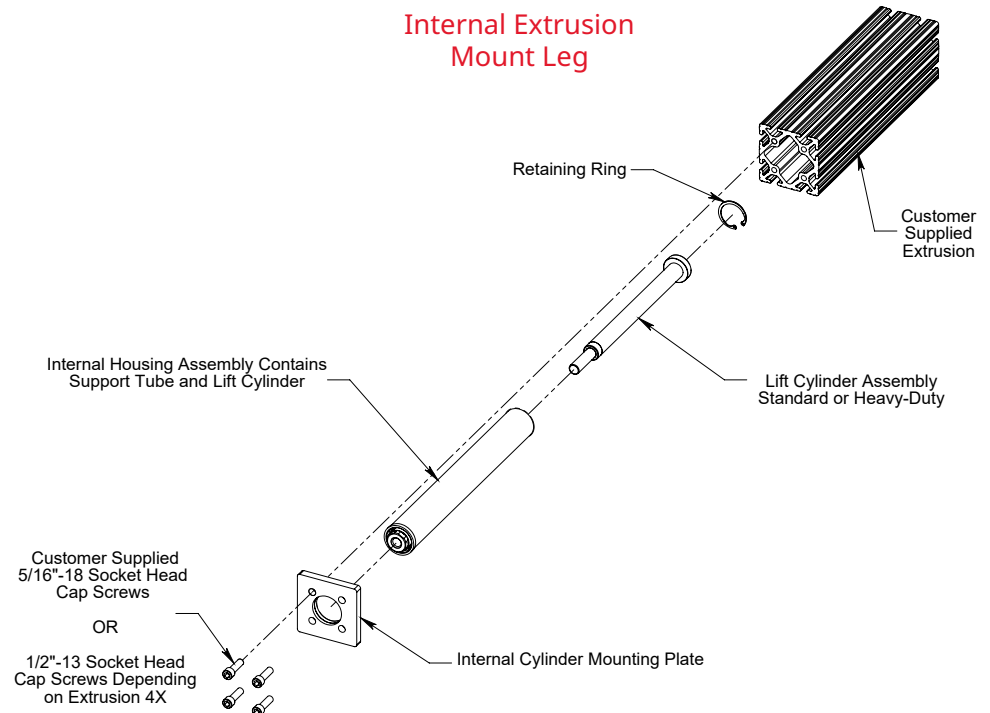
Technical Information

- Adjustment ranges available in: 6", 8", 10", and 12" stroke
- Lifting capacity up to 1,500 lbs. on Heavy-Duty
- Single acting cylinders, power up and gravity down
- Approximately 30 lbs. of weight per cylinder needed to retract properly
- Manual with hand crank* or electric actuation available
- Internal cylinder mount available for:
 - 80/20 extrusions 3030
 - 80/20 extrusions 8080

* Standard Only



Contact Bucher Sales for
Additional Manufacturers' Extrusions



Dyna-Lift®

External Extrusion Mount System

Advantages

- Universally fits many different sizes of extruded aluminum structures via T-Slot
- Easy installation as an OEM design or as an add-on retrofit to a pre-existing structure

General Description

- Retrofit the "D" style cylinder to many different size extrusions via the "L" bracket
- "L" bracket universally fits different sizes of extrusion via the T-Slot
- Tighten down bracket to T-Slot with an Allen wrench

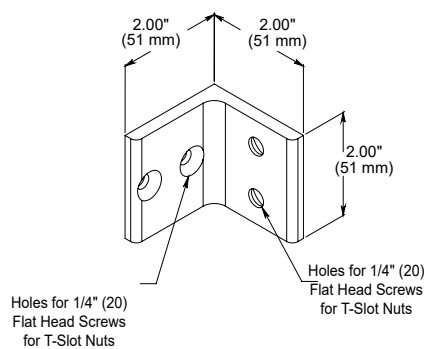
Technical Information

- Adjustment ranges available in: 6", 8", 10", 12", 16" and 20" stroke
- Lifting capacity up to 1,500 lbs.
- Single acting cylinders, power up and gravity down
- Approximately 30 lbs. of weight per cylinder needed to retract properly
- Manual hand crank* or electric actuation available

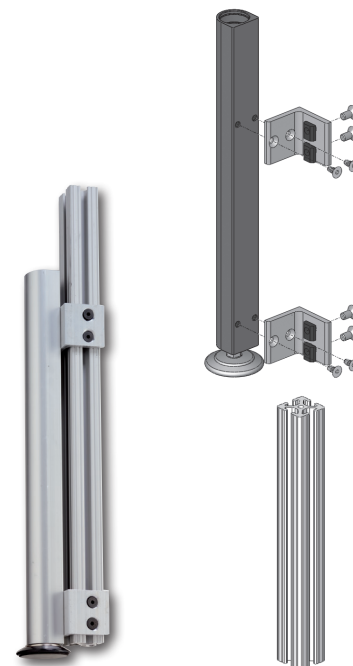
* Standard Only



Optional "L" Bracket easily mounts Standard & Heavy-Duty Systems for external extrusion applications.



"L" Bracket



External Extrusion Mount Leg

Dyna-Lift®

Parts & Accessories



DL Gear Motor 115 VAC
#DH-07000



3/8" CS STD Foot Glide
#DH-17200



1/2" SS HD Foot Glide
#DH-17207



"L" Bracket
#DH-08000



Standard Adapters
3/8" rod x 3/8" THD CS #DC-03000
3/8" rod x 1/2" THD CS #DC-03004

Heavy-Duty Adapters
1/2" rod x 3/8" THD CS #DC-03001
1/2" rod x 1/2" THD CS #DC-03005



STD Retractable Handle
#DH-17100



Rocker Switch
#DH-08400



Standard Recharge Kit
#DH-16000



Heavy-Duty Recharge Kit
#DH-16002

Dyna-Lift®

Quick Ship Program

Advantages

- Standard systems only
- Four (4) piece maximum order per part number
- Ships typically in 1 to 5 business days



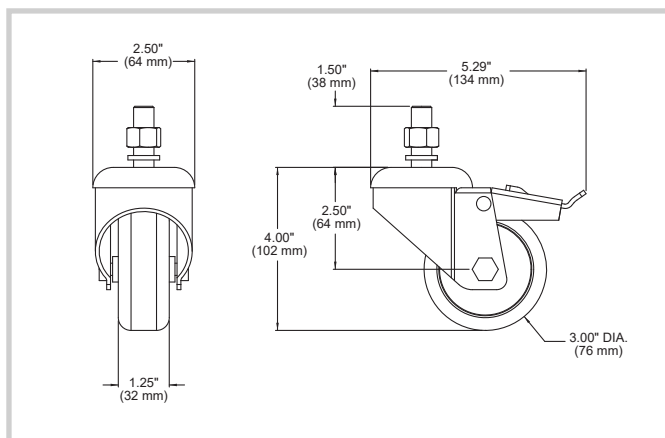
Standard Manual Systems

Description	Model #	Shipping Dimen. Inch.	Ship Weight Lbs.
4-Cylinder, 06" Stroke	4M-D1A-06-S	27x9x7	20
4-Cylinder, 08" Stroke	4M-D1A-08-S	27x9x7	23
4-Cylinder, 10" Stroke	4M-D1A-10-S	37x9x8	27
4-Cylinder, 12" Stroke	4M-D1A-12-S	37x9x8	30
4-Cylinder, 16" Stroke	4M-D1A-16-S	37x9x8	35

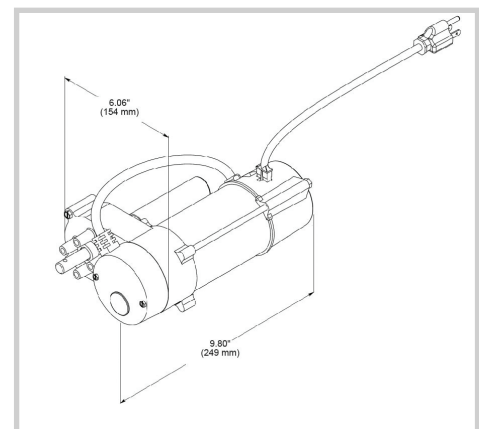
Standard Electric Systems

Description	Model #	Shipping Dimen. Inch.	Ship Weight Lbs.
4-Cylinder, 06" Stroke	4E-D1A-06-S	37x9x8	35
4-Cylinder, 08" Stroke	4E-D1A-08-S	37x9x8	37
4-Cylinder, 10" Stroke	4E-D1A-10-S	37x9x8	40
4-Cylinder, 12" Stroke	4E-D1A-12-S	37x9x8	42
4-Cylinder, 16" Stroke	4E-D1A-16-S	44x9x8	48

Dimensions



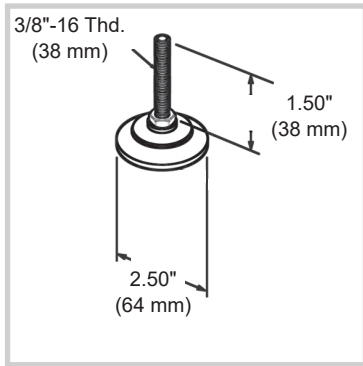
Standard Caster



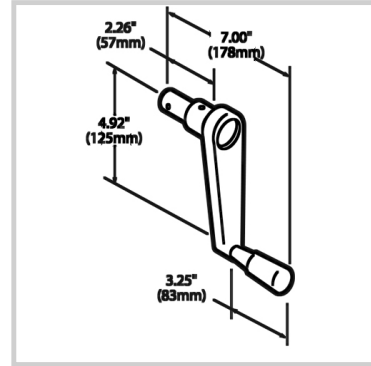
AC Motor

Dyna-Lift®

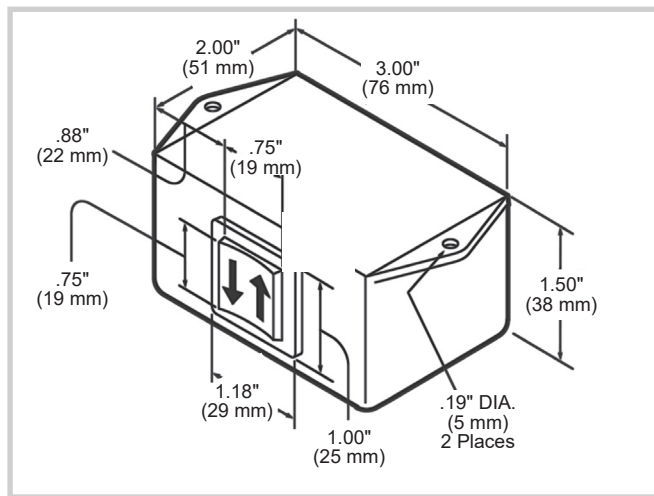
Dimensions



Foot Glide
4-Post Standard System



Retractable Folding
Handle Standard with
Manual System



Rocker Switch Housing
Standard w/ AC
Electric System

Please consult
Bucher North America Sales
with specific requirements.

System Selection Guide Guided Unit Example: 4E-D1A-08-S

NOTE: Not all configurations available.

4	E	- D	1	A	- 08	- S	
# of Cyl.	Actuator Type	Cylinder Body Type	Cylinder / Pump Fitting Type	Live End Rod Type	Cylinder Adjustment Range Inches (mm)	Standard or Custom	Optional Tubing Lengths
1 2 3 4 6 8	<p>M = Manual Crank Drive+</p> <p>E = 115 VAC* (60 Hertz)</p> <p>2 = 220 VAC* (50 Hertz)</p> <p>+8 cylinder option not available.</p> <p>*AC motors include a rocker switch; DC motors do not.</p>	<p>Cylinder Body Type for Guided "D" Rod End</p> <p>D = Inline Tube Port/A-Style Cylinder Mounted Inside 1" Support Sleeve, Inside 1.5" x 1.5" D-Shaped Housing with (4) 1/4-20" Mounting Holes. Requires No External Guide Support.</p> <p>3 = Internal Mount for 3" x 3" Extrusion with 1" Support Sleeve, Foot Glide, Internal Bushing and End Cap</p> <p>8 = Internal Mount for 80mm x 80mm Extrusion with 1" Support Sleeve, Foot Glide, Internal Bushing and End Cap</p>	<p>1 = Straight / Straight</p> <p>2 = 90° / Straight</p> <p>3 = Straight / 90°</p> <p>4 = 90° / 90°</p> <p>5 = 180° / Straight</p> <p>6 = 180° / 90°</p> <p>Note: Velocity Fuses available upon request.</p>	<p>Guided "D" Rod End Options</p> <p>A = 3/8" Adapter w/ 3/8" Foot Glide</p> <p>B = 3/8" Adapter w/o Foot Glide</p> <p>C = 1/2" Adapter w/ 1/2" Caster</p> <p>D = 1/2" Adapter w/ 1/2" Foot Glide</p> <p>E = 1/2" Adapter w/o Foot Glide</p> <p>F = 3/8" SS Adapter, 3/8" SS Foot Glide w/ SS Piston Rod</p>	<p>06 (156 mm)</p> <p>08 (203)</p> <p>10 (254)</p> <p>12 (305)</p> <p>16 (406) STD Only</p> <p>20 (508) 4-Post HD Only</p>	<p>S = Standard</p> <p>H = Heavy-Duty 1,500 lb. Capacity (Manual not available)</p> <p>S62E = Standard, internal Mount, 80/20 Extrusion</p> <p>H62E = Heavy-Duty Internal Mount, 80/20 Extrusion (Manual not available)</p>	<p>Specify Tube Length from Pump to Cylinder</p> <p>Note: Recommended tube length 24" min. and 144" max.</p> <p>Tube bending: Minimum of 0.63 inch radius or larger.</p> <p>Cyl. #1 _____ Cyl. #2 _____ Cyl. #3 _____ Cyl. #4 _____ Cyl. #5 _____ Cyl. #6 _____</p> <p>Standard Tube Lengths</p> <p>2 Cyl. = 96", 60"</p> <p>4 Cyl. = 96", 96", 60", 60"</p> <p>6 Cyl. = 120", 120", 120", 96", 96", 96"</p>
1 2 3 4 6 8	<p>M = Manual Crank Drive+</p> <p>E = 115 VAC* (60 Hertz)</p> <p>2 = 220 VAC* (50 Hertz)</p> <p>+8 cylinder option not available.</p> <p>*AC motors include a rocker switch; DC motors do not.</p>	<p>Cylinder Body Type for Unguided Rod End</p> <p>B = 90° Tubing Port/ External Retaining Ring Mount (Cylinder Tube End)</p>	<p>1 = Straight / Straight</p> <p>2 = 90° / Straight</p> <p>3 = Straight / 90°</p> <p>4 = 90° / 90°</p> <p>5 = 180° / Straight</p> <p>6 = 180° / 90°</p> <p>Note: Velocity Fuses available upon request.</p>	<p>Unguided Rod End Options</p> <p>A = Straight Rod End</p> <p>B = Retainer Ring Rod End</p> <p>C = Clevis Rod End</p> <p>D = Threaded Rod End</p>	<p>06 (156 mm)</p> <p>08 (203)</p> <p>10 (254)</p> <p>12 (305)</p> <p>16 (406) STD Only</p> <p>20 (508) 4-Post HD Only</p>	<p>S = Standard</p> <p>H = Heavy-Duty 1,500 lb. Capacity (Manual not available)</p> <p>S62E = Standard, internal Mount, 80/20 Extrusion</p> <p>H62E = Heavy-Duty Internal Mount, 80/20 Extrusion (Manual not available)</p>	<p>Specify Tube Length from Pump to Cylinder</p> <p>Note: Recommended tube length 24" min. and 144" max.</p> <p>Tube bending: Minimum of 0.63 inch radius or larger.</p> <p>Cyl. #1 _____ Cyl. #2 _____ Cyl. #3 _____ Cyl. #4 _____ Cyl. #5 _____ Cyl. #6 _____</p> <p>Standard Tube Lengths</p> <p>2 Cyl. = 96", 60"</p> <p>4 Cyl. = 96", 96", 60", 60"</p> <p>6 Cyl. = 120", 120", 120", 96", 96", 96"</p>

Dyna-Lift[®]



BUCHER
hydraulics

info@bucherhydraulics.com
bucherhydraulics.com
dynalift.com

Dyna-Lift-Catalog-2024-01_500-FL-000010-en